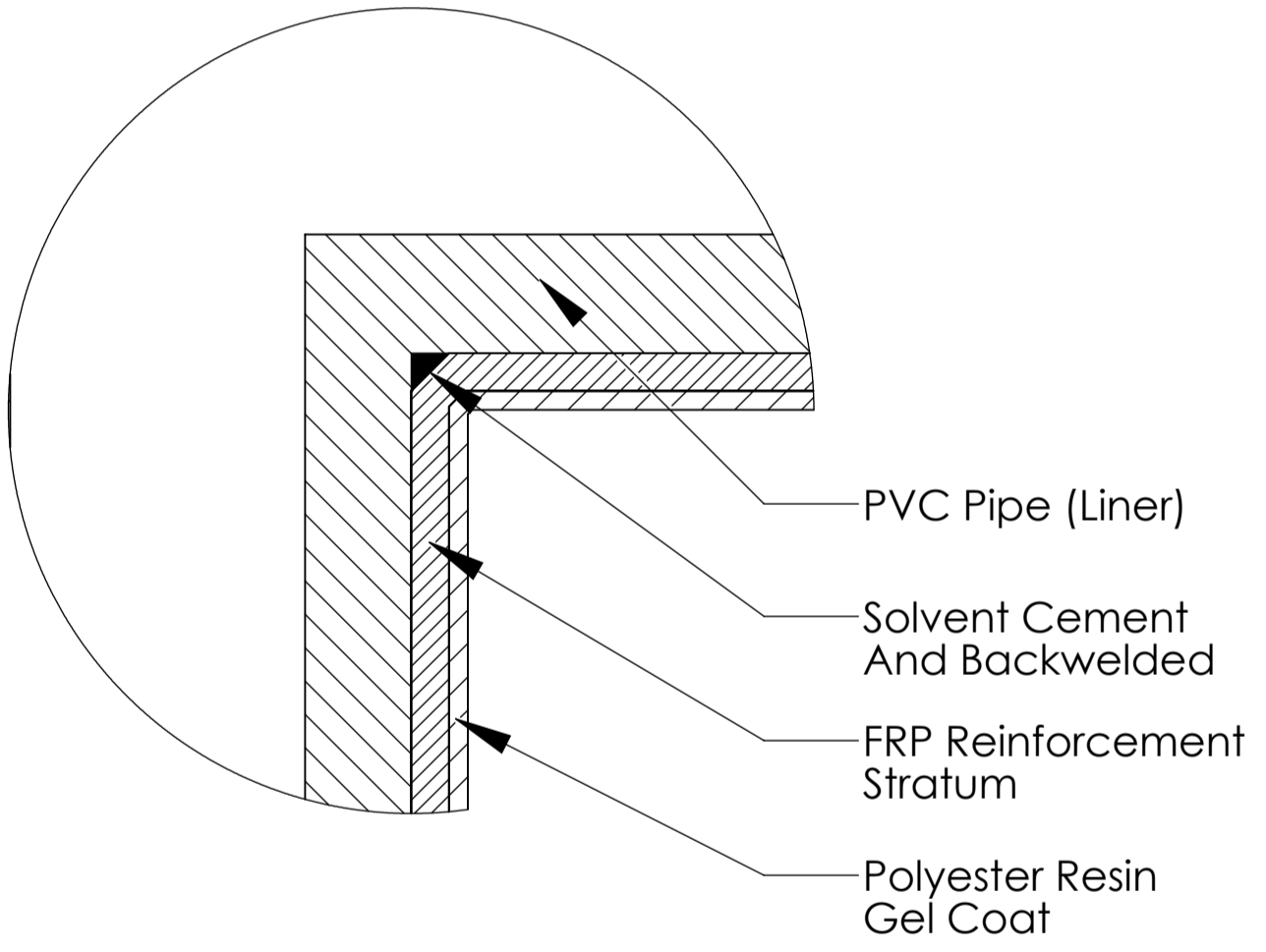
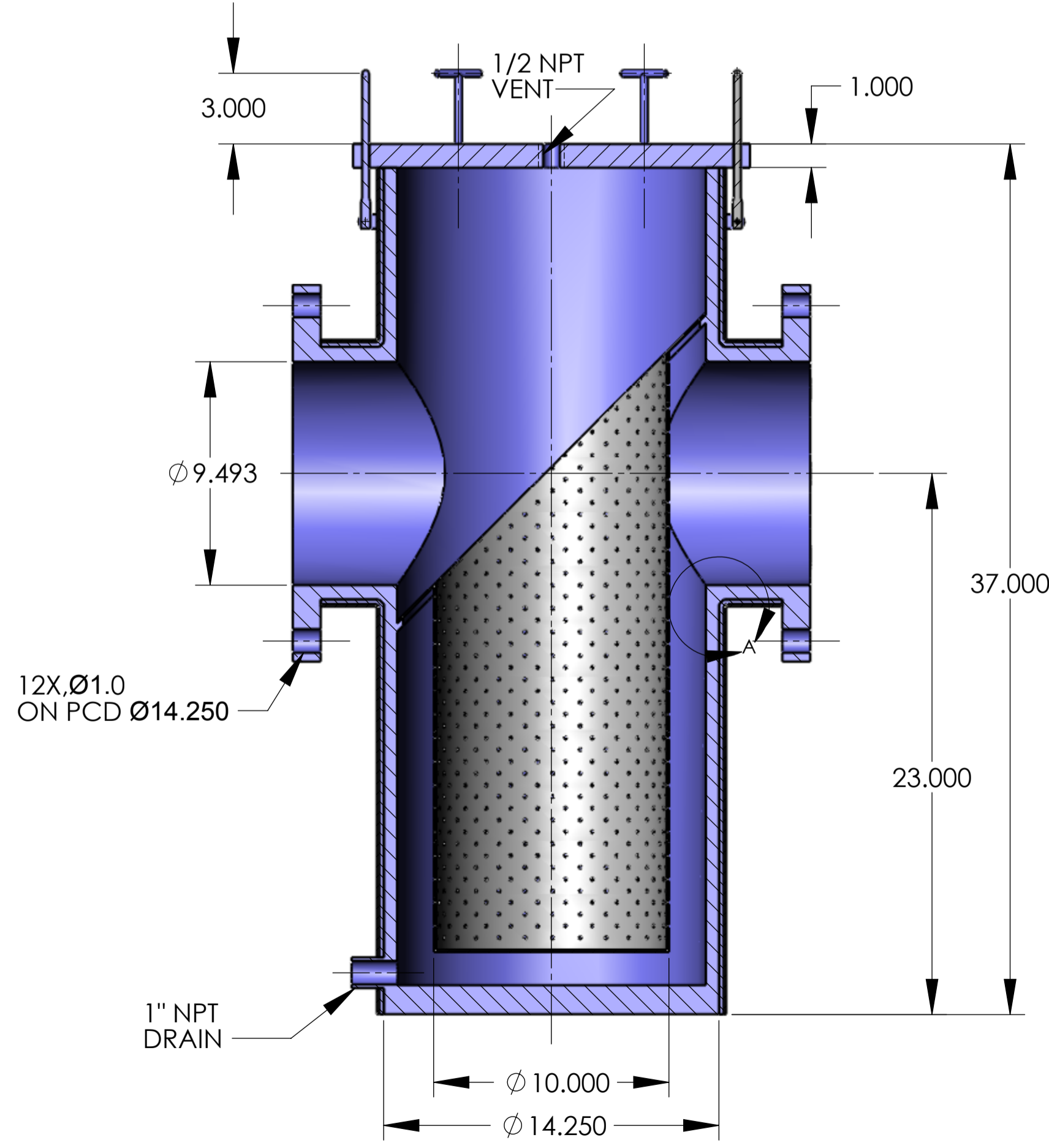


SPECIFICATION	
Body:FRP/PVC	Max. Press: 50 PSI
Basket 304 SS 1/8" Perf	Max. Temp: 140 Deg F
Basket Mtr'l Flg.-12 GA/ Perf-18 GA	Basket/ Pipe Area: 10.2:1
Gasket: Neoprene	Open Basket/Pipe Area: 4.1:1
Inlet: 10" 150# ANSI Flange	Cover: 1" Acrylic With 1/2" Vent
Outlet: 10" 150# ANSI Flange	Lid Closer: Tee Handles 304 ss



DETAIL A
SCALE 1 : 1

FLUIDTROL PROCESS TECHNOLOGIES, INC.
HUNTSVILLE, AL 35811

DRAWN: SS	SW SERIES AQUATIC STRAINER 10"X10"
DATE: 9-1-10	

This drawing represents the Design & engineering efforts of Fluidtrol process Technologies, Inc. it is loaned in confidence and is not to be reproduced or used in anyway detrimental to Fluidtrol process Technologies, Inc Without Written Permission

MODEL: SW116110031

DRWG SW116110031 850-0602