

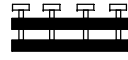
Lid Closer Options



Bolted

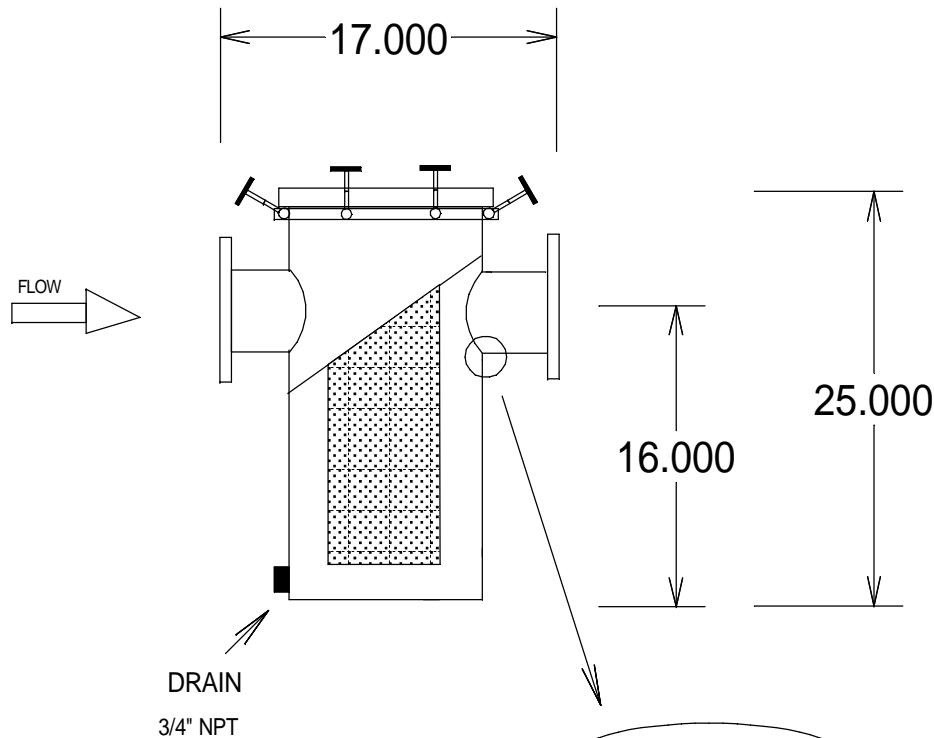


Victualic



Tee Handle

* Cover Selection Depends Upon Pressure Rating

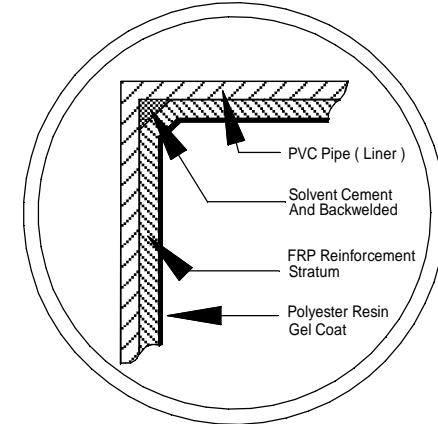


See Detail A

SPECIFICATIONS

Body: FRP / PVC	Max. Press: 50 PSI
Basket: 304 SS 1/8" Perf	Max. Temp: 140 Deg. F
Basket Mtr'l: Flg.-12 GA / Perf-18 GA	Basket / Pipe Area: 12.5 : 1
Gasket: Neoprene	Open Basket Area = 5.0 : 1
Inlet: 5" 150# ANSI Flange	Cover : 1" Acrylic With 1/2" Vent
Outlet: 5" 150# ANSI Flange	Lid Closer: Tee Handles 304 SS

Detail A



FLUIDTROL PROCESS TECHNOLOGIES, INC.
HUNTSVILLE, AL 35811

DRWN: TT

SW SERIES AQUATIC STRAINER

DATE:
6-21-10

5" X 5"

MODEL: SW116105031

DRWG: SW116105031

850-0602

This drawing represents the design & engineering efforts of Fluidtrol Process Technologies, Inc. it is loaned in confidence and is not to be reproduced or used in any way detrimental to Fluidtrol Process Technologies, Inc without written permission.