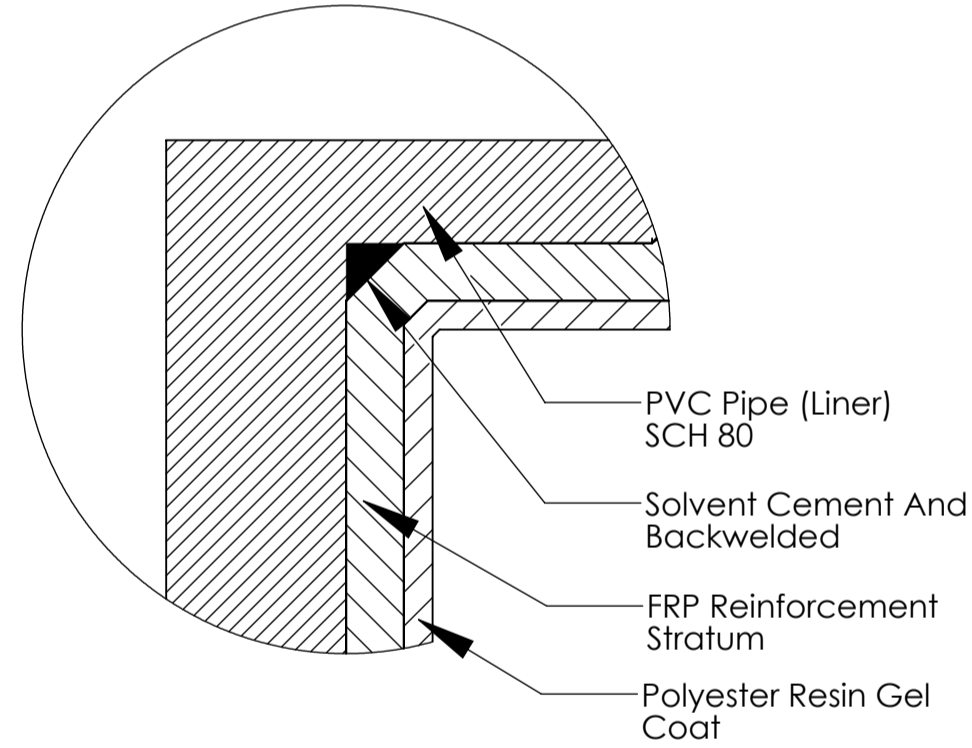


| SPECIFICATION | |
|------------------------------------|----------------------------------|
| Body :FRP/PVC | MAX. PRESSURE: 50 PSI * |
| Basket: 304 SS, 1/8" Perf | MAX. TEMPERATURE: 140 Deg F |
| Basket Matl: flg-12 GA/ Perf-18 GA | BASKET/PIPE AREA: 17.1 : 1 |
| Gasket: Neoprene | Open Basket Area: 6.8 : 1 |
| Inlet: 4" 150# ANSI Flange | Cover: 1" Acrylic With 1/2" Vent |
| Outlet: 3" 150# ANSI Flange | Lid Closer: Tee Handles 304 SS |



DETAIL A
SCALE 1.5 : 1

| | |
|---|--|
| FLUIDTROL PROCESS TECHNOLOGIES, INC. HUNTSVILLE, AL 35811 | |
| DRAWN: SS | RSW SERIES AQUATIC STRAINER 4"X3" |
| DATE: 11-1-10 | |

This drawing represents the Design & engineering efforts of Fluidtrol process Technologies, Inc. it is loaned in confidence and is not to be reproduced or used in anyway detrimental to Fluidtrol process Technologies, Inc Without Written Permission

MODEL: RSW116104331

DRWG RSW116104331 852-0643SC