

Lid Closer Options



Bolted



Victualic

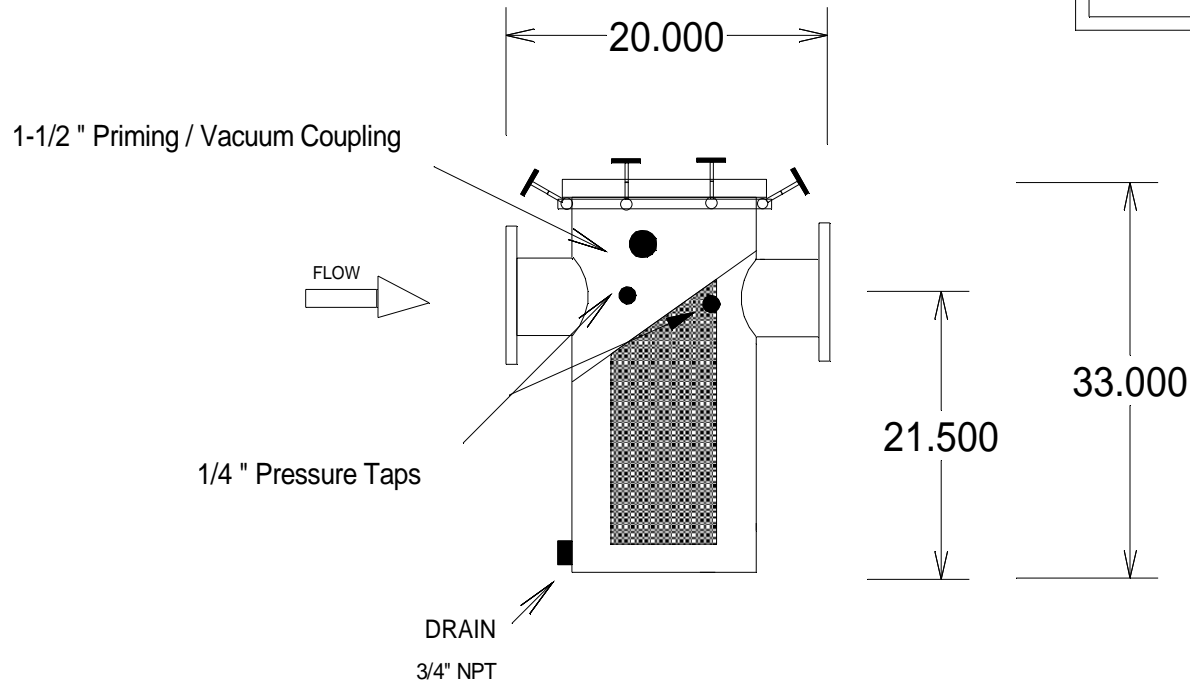


Tee Handle

* Cover Selection Depends Upon Pressure Rating

SPECIFICATIONS

| | |
|---------------------------------------|-----------------------------------|
| Body: 304 Stainless Steel SCH 10 | Max. Press: 50 PSI. * |
| Basket: 304 SS 1/8" Perf | Max. Temp: 140 Deg. F |
| Basket Mtr'l: Fig.-12 GA / Perf-18 GA | Basket / Pipe Area: 19.74 : 1 |
| Gasket: Neoprene | Open Basket Area = 7.9 : 1 |
| Inlet: 6" 150# Ansi Flange | Cover : 1" Acrylic With 1/2" Vent |
| Outlet: 6" 150# Ansi Flange | Lid Closer: Tee Handles 304 SS |



This drawing represents the design & engineering efforts of Fluidtrol Process Technologies, Inc. it is loaned in confidence and is not to be reproduced or used in any way detrimental to Fluidtrol Process Technologies, Inc without written permission.

FLUIDTROL PROCESS TECHNOLOGIES, INC.
 PELHAM, AL 35124

DRWN: TT
 DATE:
 5-9-07

ESW - SS SERIES AQUATIC STRAINER
6" X 6"

MODEL: ESW166106031

DRWG: ESW166106031

653-8066