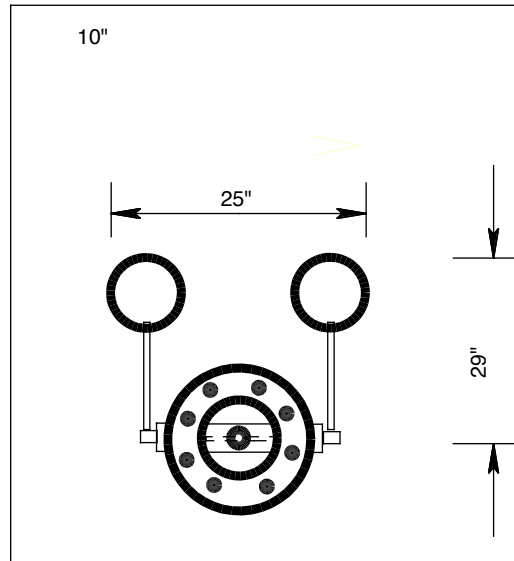
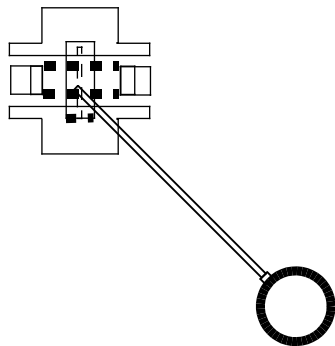
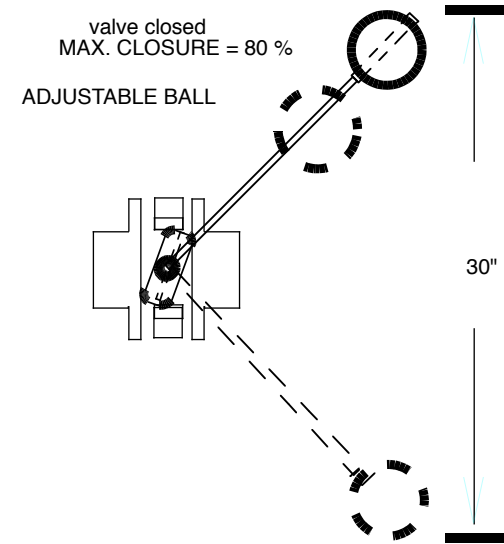


valve open

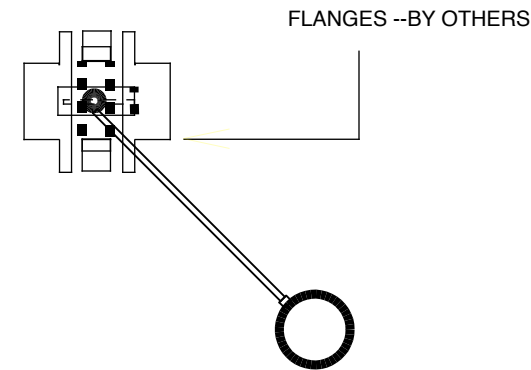


SPECIFICATIONS

VALVE BODY FLANGE BODY..1" PP
 HARDWARE..304 STAINLESS STEEL
 8" DIA PLASTIC FLOATS, SOLID CORE
 1/2" SS RODS



valve open



MODEL:MFV- H100HDF

PROJECT:

CONTRACT

FLUIDTROL PROCESS TECHNOLOGIES, INC.
 PELHAM, AL 35124

DATE: 1-29-08

10" FLOAT VALVE, 2 FLOATS

DRWN: ERS

HORIZONTAL

DRWG: MFV-H100HDF

