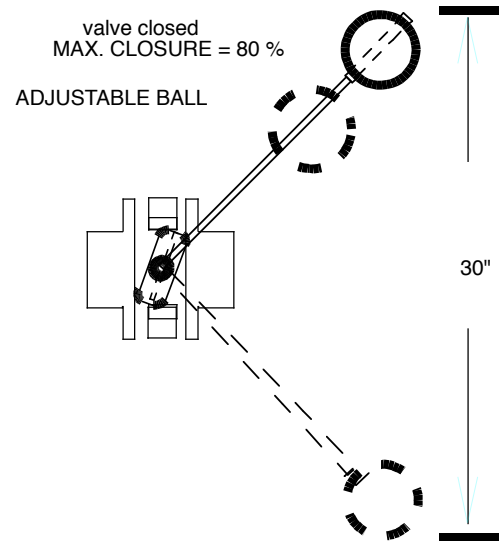
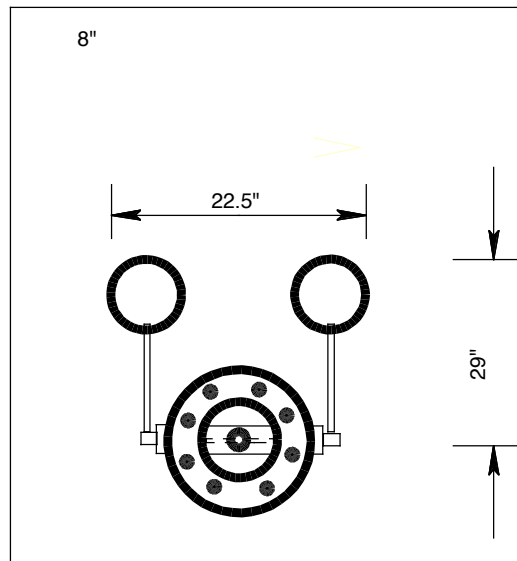
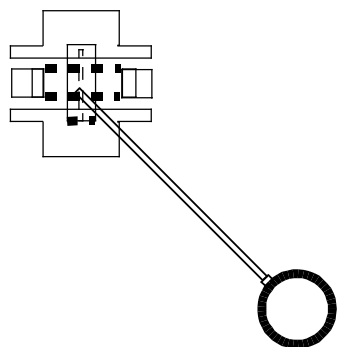
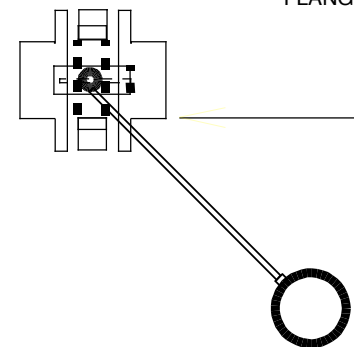


valve open



valve open



SPECIFICATIONS

VALVE BODY FLANGE BODY..1" PP
 HARDWARE..304 STAINLESS STEEL
 8" DIA PLASTIC FLOATS, SOLID CORE
 1/2" SS RODS

MODEL:MFV- H080HDF

FLUIDTROL PROCESS TECHNOLOGIES, INC.
 PELHAM, AL 35124

DATE: 1-29-08

8" FLOAT VALVE, 2 FLOATS

DRWN: ERS

HORIZONTAL

DRWG: MFV-H080HDF

PROJECT:

CONTRACT

