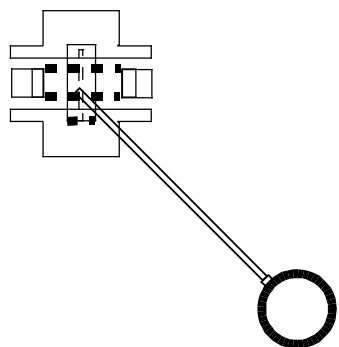
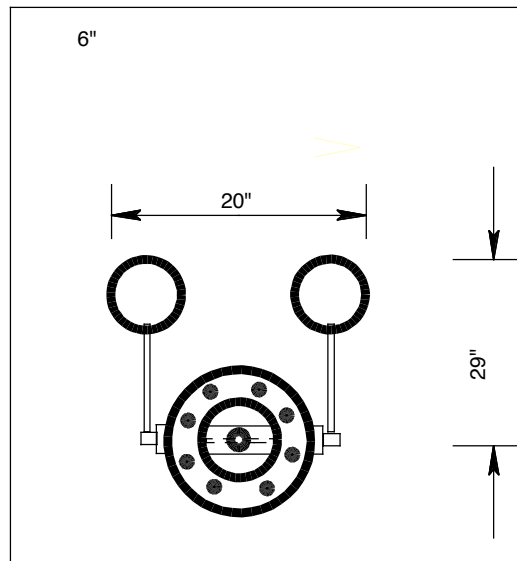
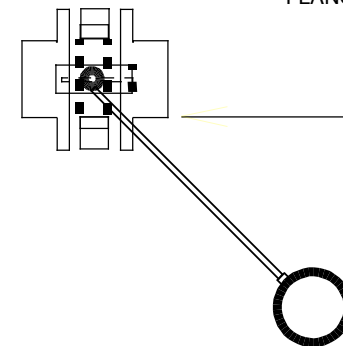


valve open



valve open



SPECIFICATIONS

- VALVE BODY FLANGE BODY..1" PP
- HARDWARE..304 STAINLESS STEEL
- 8" DIA PLASTIC FLOATS, SOLID CORE
- 1/2" SS RODS

MODEL:MFV- H060HDF

FLUIDTROL PROCESS TECHNOLOGIES, INC.
 PELHAM, AL 35124

DATE: 1-29-08

6" FLOAT VALVE, 2 FLOATS

PROJECT:

CONTRACT

DRWN: ERS

HORIZONTAL

DRWG: MFV-H060HDF

