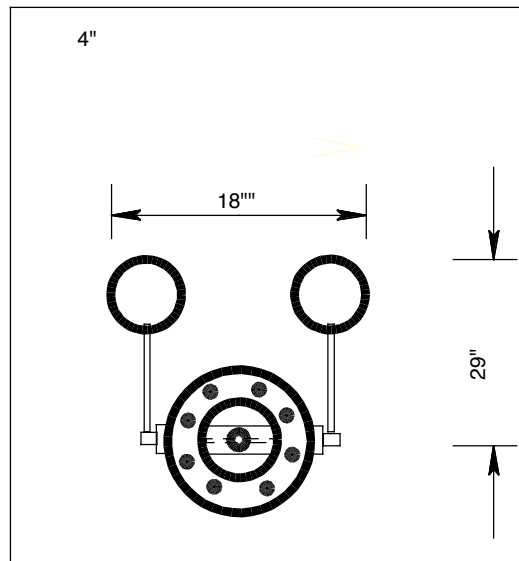
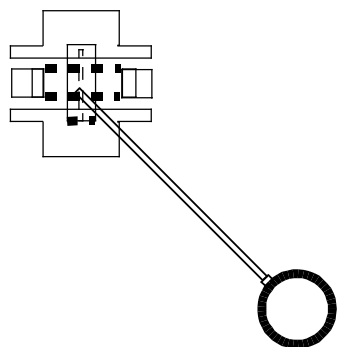
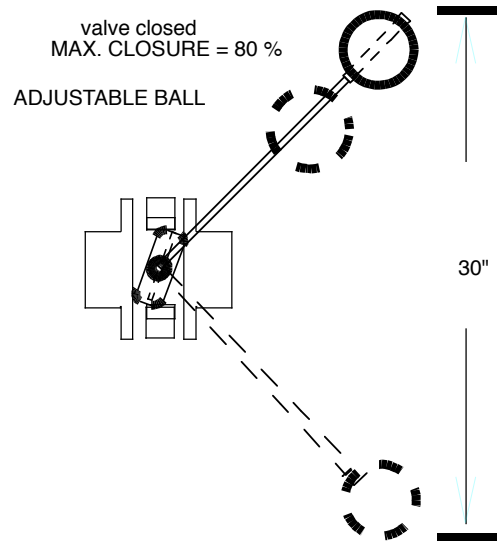


valve open

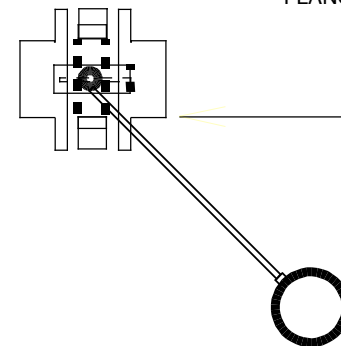


**SPECIFICATIONS**

- VALVE BODY FLANGE BODY..1" PP
- HARDWARE..304 STAINLESS STEEL
- 8" DIA PLASTIC FLOATS, SOLID CORE
- 1/2" SS RODS



valve open



MODEL:MFV- H040HDF

PROJECT:

CONTRACT

FLUIDTROL PROCESS TECHNOLOGIES, INC.  
PELHAM, AL 35124

DATE:1-29-08

4" FLOAT VALVE, 2 FLOATS

DRWN: ERS

HORIZONTAL

DRWG: MFV-H060HDF

